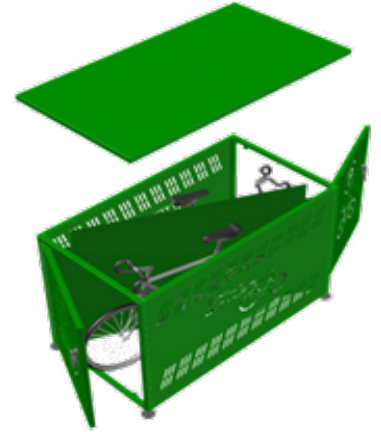


North Bay Public Art: Bike Locker Vinyl Wrap Project Application Requirements

Due Date: Aug. 30, 2024

Contact: publicart@northbay.ca



PROJECT DESCRIPTION

The Corporation of the City of North Bay in partnership with the City of North Bay's Public Art Advisory Committee (PAAC) and Creative Industries, is seeking artists and designers to submit digitally created images, high quality photographs or scans of original artwork (print making, painting or drawing). Submissions must be in digital format and will be used to vinyl wrap our future bike lockers located at the Transit Terminal on Oak Street and Shabogestic Beach. A total of five successful submissions will be selected for this project. **All-over repeat patterns are encouraged.**

The artist is responsible for the design only. Printing and installation will be handled by the City of North Bay.

PURPOSE

To strengthen the prominence of public art within high pedestrian traffic areas, provide an opportunity to recognize local and regional artists, and improve beautification within the City of North Bay.

RISK AND RESPONSIBILITY

Artists should understand that the finished work will be installed onto bike lockers which may require repair or replacement due to the elements. Therefore, the City of North Bay cannot guarantee the duration of the work's display or be responsible for any damages or modifications of the artwork due to required maintenance and wear and tear. Artists should also be aware that public artwork can be a target for vandalism. The City of North Bay cannot guarantee that vandalized works will be repaired, restored, or replaced as this is dependent on available funding. Artists must accept this risk that their artwork may be removed if damage or vandalism occurs at the city's discretion.

ELIGIBILITY AND CRITERIA

- Artists and designers with ties to North Bay and area
- Must be unique and original work, new or existing artwork is eligible
- If you submitted artwork for the Traffic Box Initiative, Panel Art project, or Overpass Banner project, please submit a NEW design (duplicate designs will not be accepted)
- Must not include promotion, branding, or business logos
- Must not include any vulgar or offensive words or explicit offensive imagery
- Must consider ways of mitigating graffiti, such as reducing blank space
- Must be able to produce high-res 300 DPI (dots per inch) digital document via scan, photograph, or digitally produced and placed on the template provided
- **Each artist can submit a maximum limit of (3) pieces of artwork**

ARTIST FEE

Successful applicants will receive \$700 per piece of artwork selected. All artist fees will be paid by Creative Industries.

SELECTION PROCESS

Proposals will be evaluated by North Bay's PAAC committee under but not limited to the following criteria:

- Artistic Merit - artwork exhibits high-quality artistic ability and execution within project scope
- Community Impact - generating a positive and strong visual impact on the community/site location
- Viability - artwork meets technical requirements

ART RELEASE FORM

If selected as a successful applicant, you will be required to complete and sign the City of North Bay's Public Art Advisory Committee's Art Release form.

SUBMISSION CHECKLIST:

Checklist must be completed to be considered by the Public Arts Advisory Committee.

- Create a mock-up of your artwork using the attached template and save it as a JPEG or PNG file
- Provide a vector file or a high-resolution image (300 DPI) of your artwork
- In one document, include:
 - Contact information (name, email address, phone number)
 - Short bio including your connection to North Bay (under 100 words)
 - A brief rationale of your inspiration behind the artwork
 - Artist website and/or social media links to be shared on the City of North Bay's social media platforms if your artwork is selected
- Include your name on the title of each document (ie: documents: JaneDoeBio; images: JaneDoe1, JaneDoe2)
- Submit your application by email:
 1. email all documents to publicart@northbay.ca or
 2. send your files through Google Drive

How to send your files through Google Drive:

- Create a portfolio folder in your Google Drive or cloud service titled "your name – Bike Locker Vinyl Wrap"
- On your folder go to the far right and select the three dots (more actions)
- Select share, under general access switch from "restricted" to "anyone with the link"
- Select copy link and hit done
- Copy the link into an email and send it to publicart@northbay.ca

Once your application is submitted, you'll receive a confirmation email within five business days.

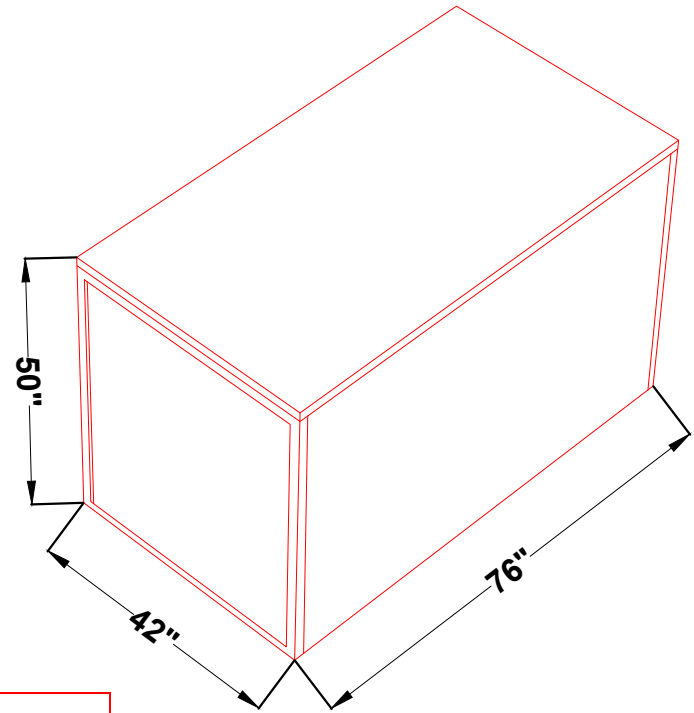
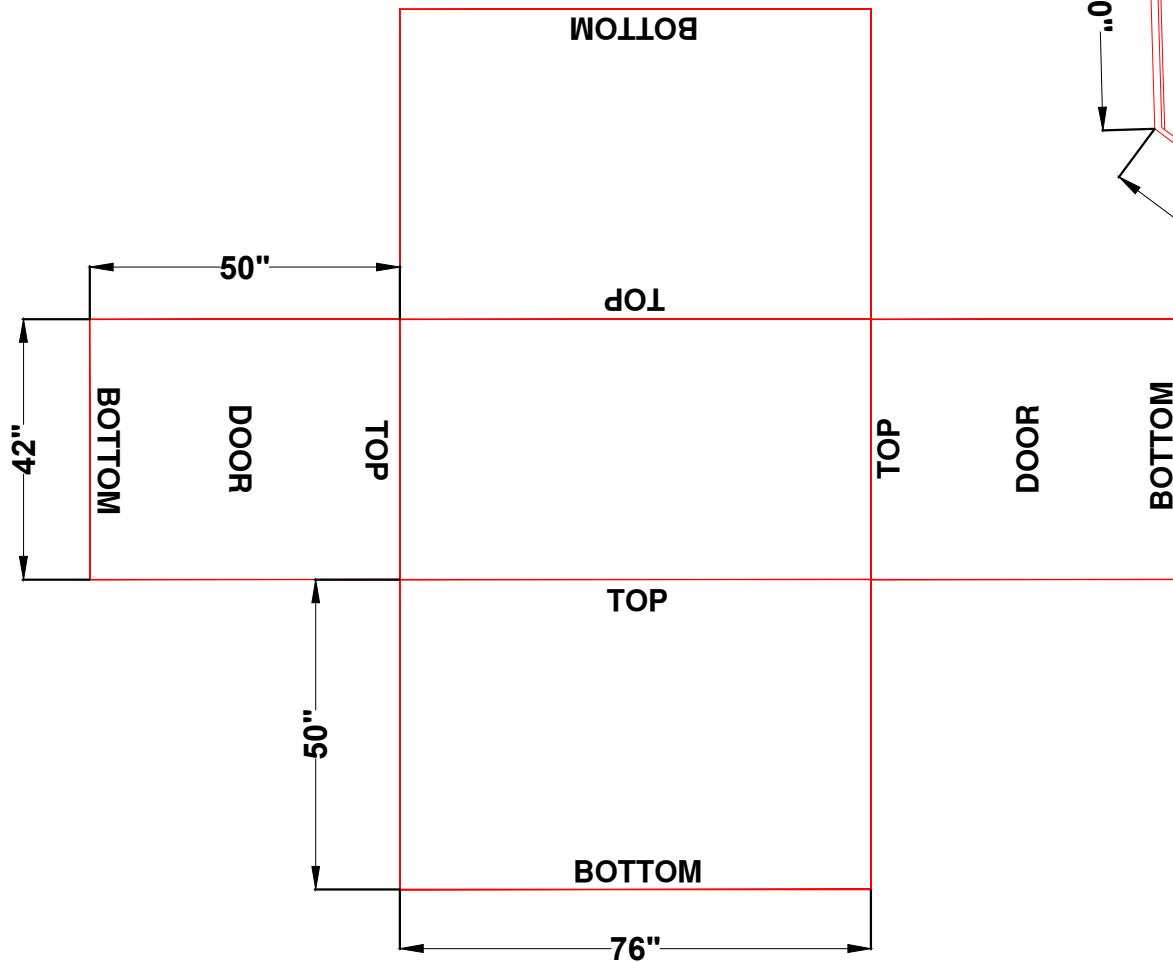
TIMELINE

Deadline for submissions: Aug. 30, 2024 by 4:30 p.m.

Successful applicants will be contacted by: Sept 30, 2024

Please direct any questions to the Public Art Advisory Committee (PAAC): publicart@northbay.ca

BIKE LOCKER SPECIFICATIONS



TEMPLATE

